

VENETO™ Owner's Manual

READ AND SAVE THESE INSTRUCTIONS!

Safety and the proper operation of your Casablanca fan both require a thorough knowledge of the product and proper installation; therefore, before attempting to install and operate your Casablanca fan, read this owner's manual completely and carefully. Retain this manual for future reference.

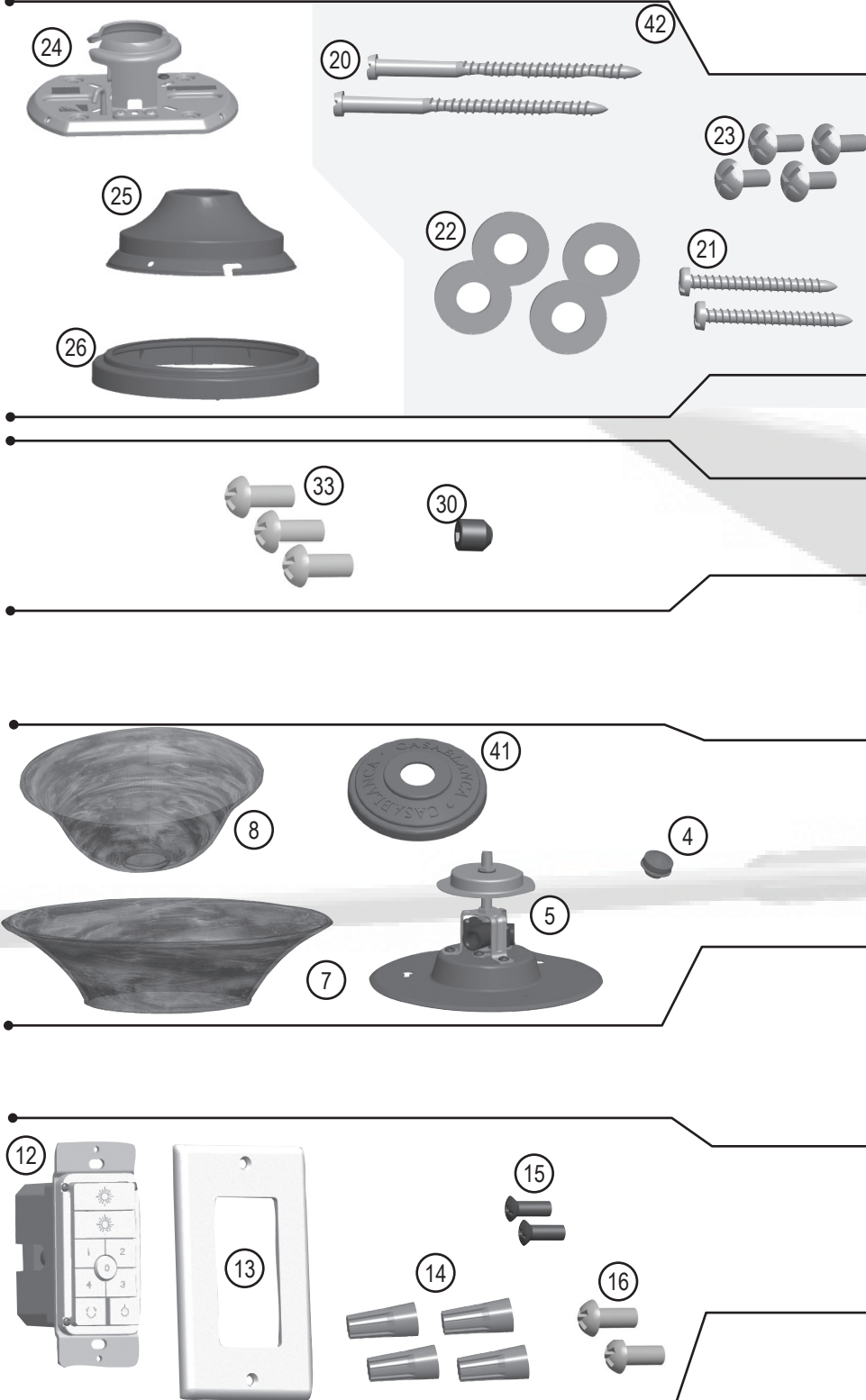
CAUTION: To avoid possible electrical shock, make certain that electricity is turned off at the circuit breaker or fuse box before attempting any installation procedure.

CONTENTS

Parts List	3
Introduction	5
Before You Start	5
Safe Use	5
Mounting Recommendations	6
Sloped Ceiling Installation	6
Fan Installation	7
Getting Started	7
Mounting Bracket Installation	7
Pipe Scroll Hardware	8
Pipe Scroll Assembly	8
Upper Glass Assembly	10
Hanging the Fan	10
Wiring	11
Securing the Canopy	13
Blade Installation	14
Light Kit Installation	15
W-74 Wall Control Preparation	16
W-74 Control Installation	17
Installing the W-74 Wall Control	17
Single W-74 Installation	17
Dual W-74 Installation	18
W-74 Operation	19
Operation Power	19
Operation Speed Control	19
Operation Reversing Airflow	19
Operation Lights	19
Changing Frequency Setting	20
Operation CFL Mode	20
Automatic Demonstration Program	21
Operation Safe-Exit®	21
Light-minder® Program	21
Operation Fan-Minder™ Program	22
Operation Home-Safe® Program	22
Troubleshooting Tips	23
Care Recommendations	24
Product Specifications	24

PARTS LIST

Parts List

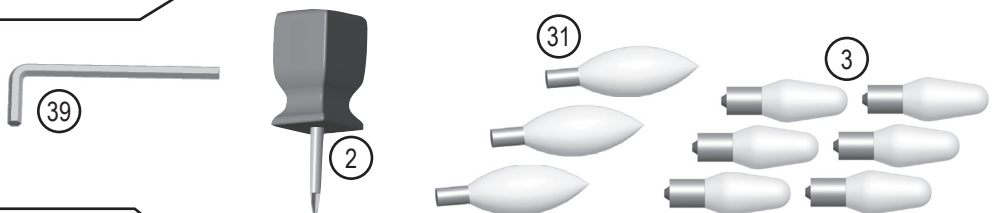
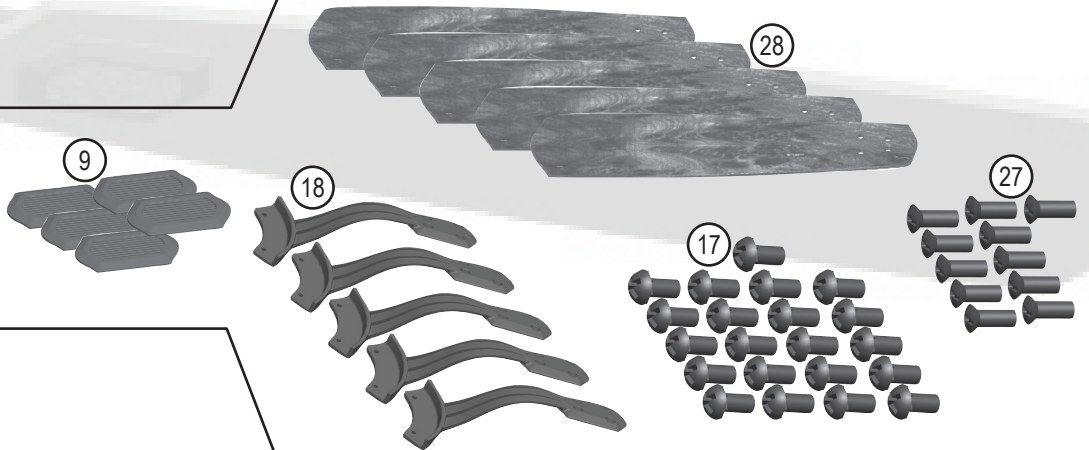
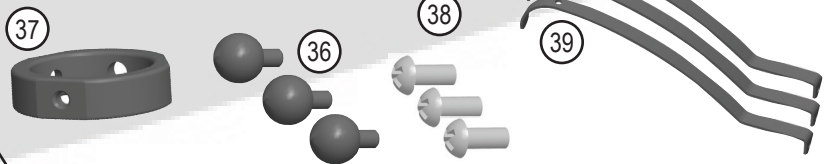
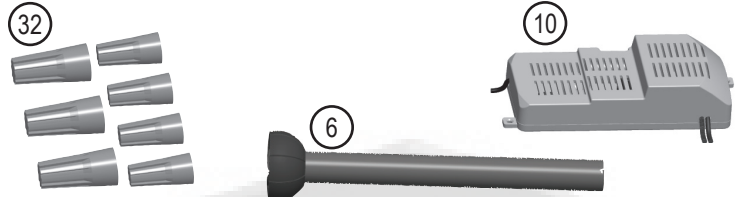
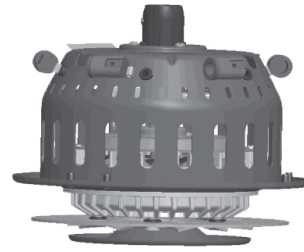


Item #	Item Name
19	Hanging System
42	Hardware Pack C
20	Wood Screw #10
21	Wood Screw #8
22	Washer
23	Screw, 10-32
24	Ceiling Plate
25	Canopy
26	Trim Ring
10	Receiver
32	Hardware Pack A
6	Pipe Assembly
29	Hardware Pack B
30	Set Screw (Pre-Installed)
33	Screw #8-32
35	Scroll Kit
36	Screw, Ball
37	Shaft Collar
38	Screw #6-32
39	Downrod Scroll
4	Finial
41	Glass Cover
5	Light Kit
40	Glass Set
7	Glass Shade, Upper
8	Glass Bowl, Lower
9	Blade Badge
17	Blade Screw Kit
18	Blade Iron
28	Blade Set
27	Blade Iron Screw Set
11	Wall Control Assembly
12	W74 Dual Control
13	Décor Wall Plate (White)
14	Wire Nut
15	Screw 6-32 X .75
16	Screw 6-32
2	Screwdriver, Phillips
39	Allen Wrench
1	Balancing Kit
3	Light Bulb E12 C7 (15W)
31	Candellabra Bulb (40W)

If you are in need of service parts, do not return this fan to the store.



Model #	C15G624L
Asm. Dwg. #	98093-06
Finish	Bullion Black
Qty	Part #
1	99411-10-000
1	G0151-03-000
2	
2	
4	
4	
1	
1	
1	
1	89346-02-000
1	G0151-03-000
1	87942-19-624
1	G0150-01-000
1	
3	
1	G0153-01-000
3	
1	
3	
3	
1	76402-01-624
1	76899-01-624
1	88134-01-000
1	G238
1	
1	
5	88123-05-624
1	89440-14-000
5	98079-05-624
1	G0113-27-000
1	G0111-01-000
1	89350-02-000
1	
1	
4	
2	
2	
1	65567-01-000
1	64801-01-232
1	65520-01-000
6	76323-01-000
3	77646-07-000





PLEASE INSPECT ALL PACKAGING PRIOR TO DISCARDING!

Your Casablanca fan was crafted with pride and care and inspected thoroughly prior to shipment. Before you begin to assemble and install your Casablanca fan, remove all parts from the carton and check them against the Parts Guide in this manual. Make sure all parts are included in the box using the Parts Guide on the following pages.

If there are missing or broken parts:
Call 1-888-227-2178 Monday through Friday,
7 a.m. to 4 p.m. PST. Your request will be handled
immediately. Replacement parts will be sent to you
via Federal Express.

Proper Parts Handling

Do not remove lightbulbs from their packaging
until you are ready to install them.

Before discarding packaging materials, be certain
that all parts have been removed.

Use a clean, dry paintbrush to remove small
Styrofoam pieces that may remain after unpacking.

Do not brush Styrofoam into wiring cavities.
The blades in each pack are matched for equal
weight to assure smooth fan operation. If more
than one fan is being installed, do not mix blades
from different cartons.

When cleaning, painting, or working near your fan,
be cautious of the fan and blades.

Always turn power to the ceiling fan OFF before
replacing lightbulbs or working on your fan.

Never insert anything into the path of the fan
blades while the fan is in operation.

Never install a fan over a pool or spa.

Never operate a fan that has been damaged in any
way.

Install the fan according to the instructions in this
manual.

If the fan does not work:

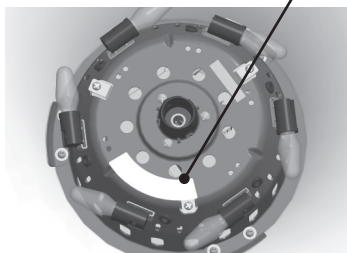
Refer to the Troubleshooting Tips in this Owner's
Manual.


Call Technical Support at 1-888-227-2178.
Contact your local Authorized Service Center.
Our Web site at www.casablancafanco.com
contains additional information on Casablanca
products, troubleshooting, and Authorized Dealer
or Service Centers. Please do not return this
product to the store.


RECORD MODEL AND SERIAL NUMBERS BEFORE INSTALLATION!

Please take a moment to locate the model number and serial number from your fan (see below) and record this information on the Warranty page inside the front cover of your Owner's Manual if it does not appear there already. These numbers are found on the motor identification plate affixed to the fan motor in the location shown below:

Motor Identification Plate



 Veneto Memphis, TN	TYPE	HANGER TYPE
	DJ01 1151	MODEL C15G624L

 SERIAL No.: DJ06 2237 C15G624L

Serial Number

Model Number



INTRODUCTION BEFORE YOU START

- **CAUTION: RISK OF ELECTRICAL SHOCK!** Installation is to be in accordance with the National Electrical Code, ANSI/NFPA 70-1999 and local codes. If you are unfamiliar with the wiring codes, you should use a qualified electrician. To avoid overheating and possible damage to other equipment, do not install control to a receptacle, fluorescent light fixture, motor-operated appliance, or transformer-supplied appliance.
- This fan is designed to be installed on an existing electrical outlet box. The outlet box must be UL Listed for ceiling fan installations. If it is not, a new box must be installed. Casablanca extension poles are available for sloped or high ceiling installations.
- This ceiling fan requires a grounded electrical supply of 120 VAC, 60 Hz and a minimum 15 amp circuit. The maximum current requirement for the fan with light fixture is 2.9 amps. The fan uses about 1 amp or 100 watts. Maximum light current is 1.8 amps or 210 watts of lighting.
- Where wire nuts are employed, be sure all bare wires are within the connectors. When installing the canopy, make sure all wires are within the canopy and that no wires are being pinched.

WARNING: Do not bend the blade brackets when installing the brackets, balancing the blades, or cleaning the fan. Do not insert foreign objects in between the rotating fan blades.

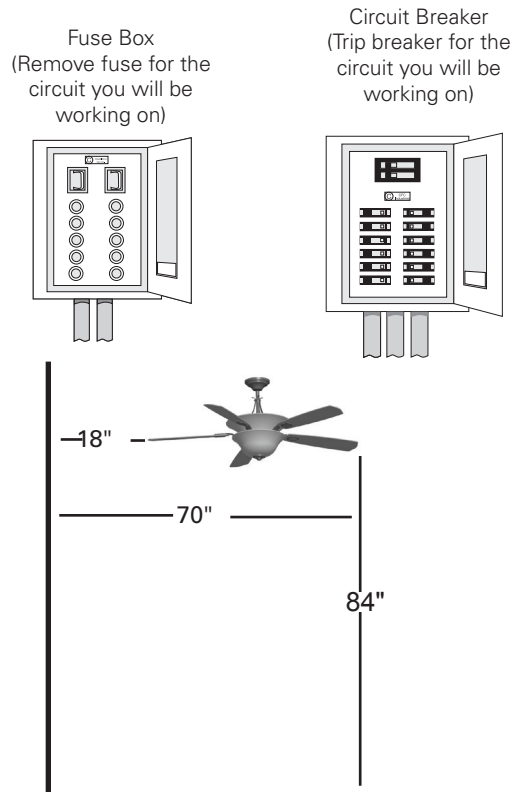
Unpacking

Before assembling and installing your ceiling fan, remove all parts from the shipping cartons and check them against the parts listed in the Parts Guide. Before discarding packaging materials, be certain that all parts have been removed.

For best performance and for your warranty to be valid, use only genuine Casablanca blades, light fixtures, and accessories.

SAFE USE

- The blades in each pack are matched for equal weight to assure smooth fan operation. If more than one fan is being installed, be careful not to mix blades from different cartons.
- Inspect the contents of your carton for possible shipping or handling damage. If parts are missing or damaged, call 1-888-227-2178.
- It is always a good idea to have an assistant to help with the installation.
- When cleaning, painting, or working near your fan, be very careful of the fan and blades. Always turn the power OFF to the ceiling fan before working on it or replacing lightbulbs.
- Never insert anything into the path of the fan blades while the fan is in operation.
- Never install a fan over a pool or spa.
- Never operate a fan that has been damaged in any way. Contact Casablanca Fan Company by calling 1-888-227-2178, or contact your local authorized Casablanca dealer for assistance in obtaining service.



MOUNTING RECOMMENDATIONS

Before mounting your Casablanca fan, read the following helpful recommendations. The location of the fan, air circulation, and fan size are all important factors to consider before installation.

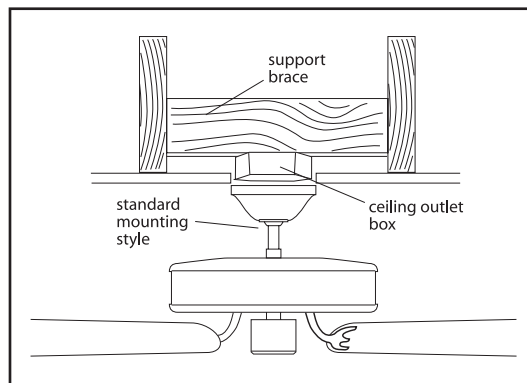
Location

Ceiling fans have practical uses in almost every room in your home. We suggest you follow these mounting recommendations as you decide where to install your Casablanca fan.

- For safety reasons, the fan blades must be a minimum of 7' above the floor.
- Do not locate the fan in a doorway or above a swinging door.
- In bedrooms, fans work best when mounted above the foot of the bed.
- Over pool tables, be sure to provide plenty of clearance to avoid damage from pool cues.
- In kitchens be sure to allow for open cupboard doors to clear the fan blades.
- Do not install a fan close to or over a pool or spa. High humidity combined with corrosive gases will destroy the finish and warp the blades.

Fan Size

Variable fan speed capability permits the use of a full-size 52" fan even in smaller rooms. For very large rooms, two fans may be needed.



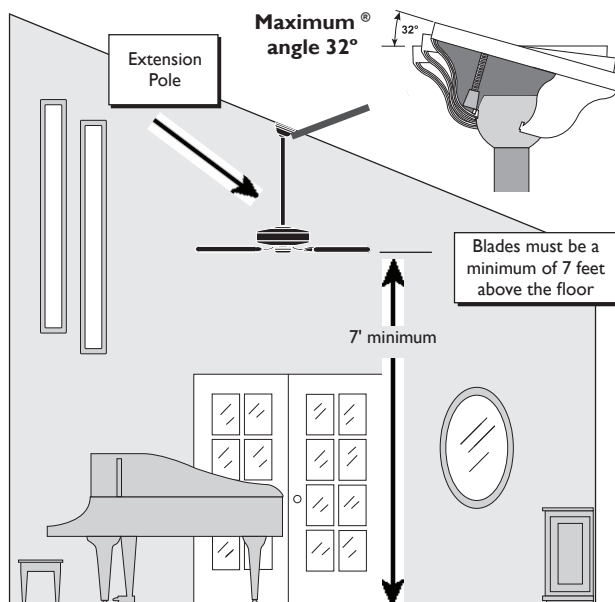
SLOPED CEILING INSTALLATION

SUGGESTED EXTENSION POLE LENGTHS

Ceiling Height	Pole Length
9' 0"	Standard
9' 6"	18"
10' 0"	18"
11' 0"	24"
12' 0"	36"
13' 0"	48"
14' 0"	60"

When to Use Extension Poles

For optimum performance and appearance, an extension pole should be used with your Casablanca fan when installing on high (cathedral) ceilings or sloped ceilings. Casablanca offers standard poles in increments of 6" up to 5'. Custom poles are available in lengths up to 9'9". See your Authorized Casablanca Dealer for details.



Note: Fan may wobble or vibrate if pole length is not long enough and inside blade is too close to downslope or side wall. Extending pole length will usually solve problem.

Calculation of Ceiling Angle

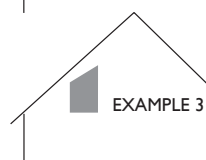
Use the tear-off Ceiling Angle Template card inserted in this manual. It provides you with a simple "go" or "no-go" for installing your fan on a sloped ceiling.



This slope is less than 32°. It is OK to install your fan.



This slope is 32°. This is the maximum slope that will allow the fan to hang straight down. It is OK to install your fan.



This slope is more than 32°. Your fan will not hang straight down, an adaptor is necessary. Contact your local Authorized Casablanca Dealer in regards to purchasing a "Sloped Ceiling Adaptor."



FAN INSTALLATION

GETTING STARTED

Installing a New Ceiling Fixture Outlet Box
If you do not have an existing fixture located where you wish to place your Casablanca fan, an approved ceiling fixture outlet box must be installed and wired.

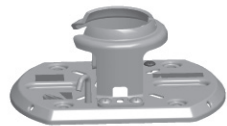
WARNING!
To reduce the risk of fire, electrical shock, or personal injury, mount to outlet box marked "Acceptable Fan Support of 22.7 kg (50 lbs.) or less" using the mounting hardware provided with the outlet box or directly to structure.

Using Existing Ceiling Fixture Outlet Box
After turning the power OFF at its source (either the circuit breaker or fuse box), lower the old fixture and disconnect the wiring. Check the ceiling fixture outlet box to be sure it is marked "Approved for Ceiling Fan Mounting." If it is not, a new box must be installed.

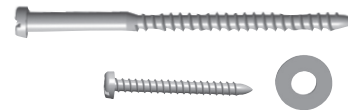
Note: The weight of this fan is 47 pounds.

MOUNTING BRACKET INSTALLATION

CEILING HARDWARE (not to scale)



Mounting Bracket



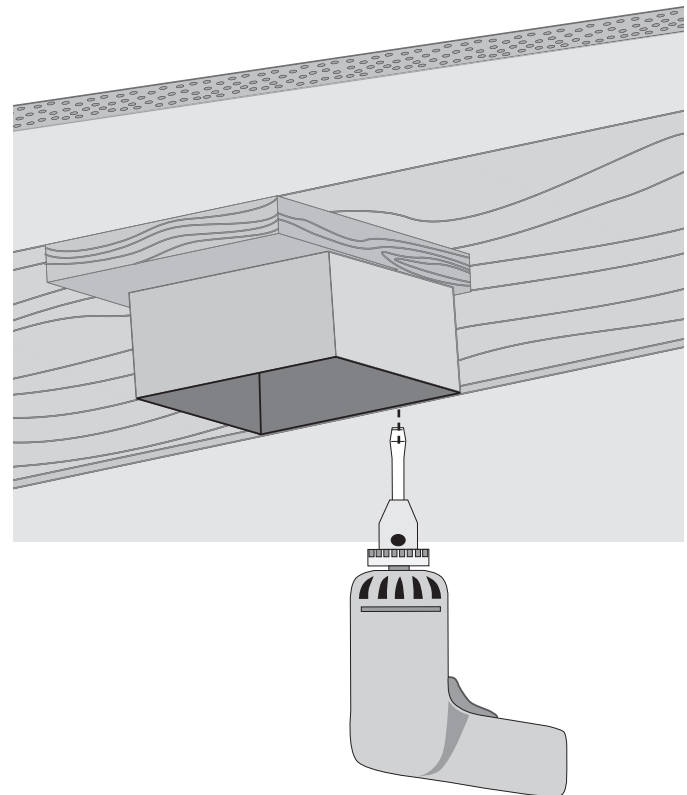
#8 Wood Screw and Washer (2)
#10 Wood Screw (2)

Note: After removing the old fixture, check the outlet box to insure that it is supported by a joist or beam across its upper surface. If not, a 2 x4 stud must be installed.

Step 1. Drill two pilot holes into the wood support structure through the outermost holes in the outlet box. The pilot holes should be 9/64" in diameter.

Step 2. Thread the lead wires from the outlet box down through the hole in the middle of the ceiling plate.

WARNING!
Support directly to building structure only.



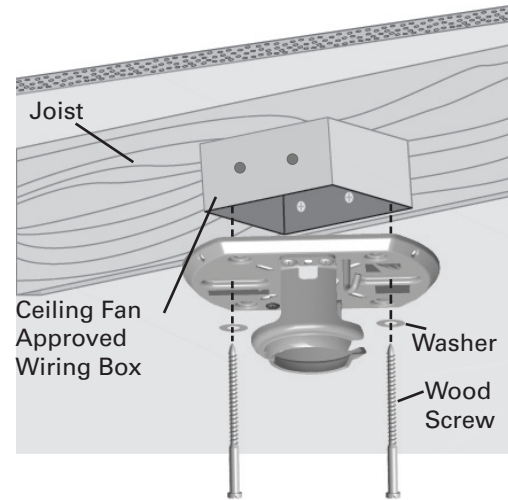
MOUNTING BRACKET INSTALLATION (CONT.)

Step 3. Align the slotted holes in the ceiling plate with the pilot holes you drilled in the wood support structure. For proper alignment use slotted holes directly across from each other.

Note: The isolators should be flush against the ceiling.

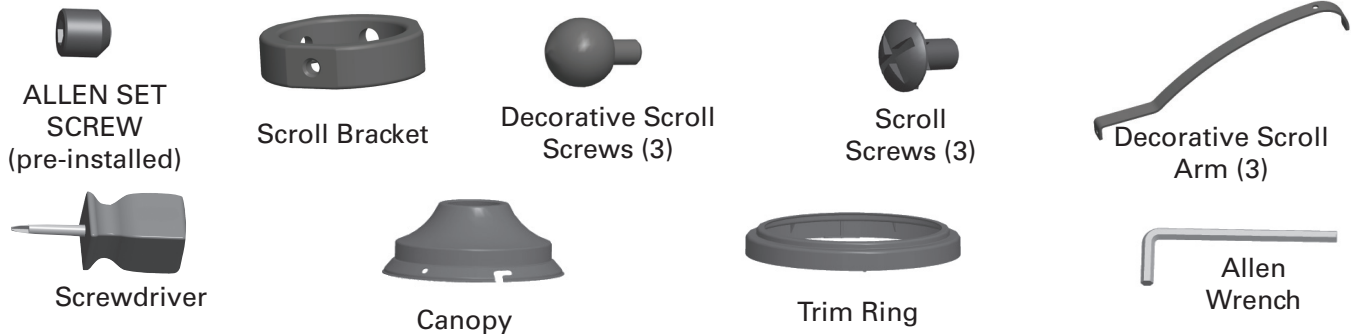
Step 4. Place a flat washer on each of the two 3" wood screws and pass the screws through the slotted holes in the ceiling plate into the pilot holes you drilled.

Step 5. Tighten the screws into the 9/64" pilot holes; do not use lubricants on the screws. Do not over tighten.



Note: On sloped ceilings, align the canopy opening toward the top or peak of the room.

PIPE SCROLL HARDWARE



PIPE SCROLL ASSEMBLY

Step 1. Remove the Paper Shield from the top of the motor.

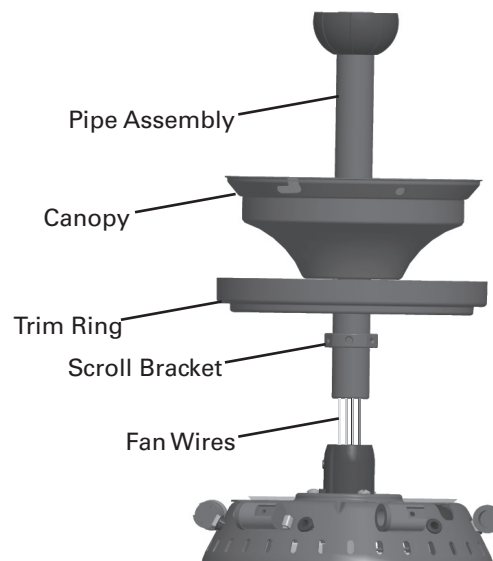
Step 2. Using the Allen Wrench, loosen the Set screw at the top of the Scroll Assembly, and on the Motor Adapter on the top of the Motor.

Step 3. Remove the Trim Ring from the Canopy.

Step 4. Insert the Pipe Assembly through the Canopy first, Trim Ring second, and finally the Scroll Bracket.

Step 5. Feed the wires from the fan through the downrod.

Note: Make sure all the wires are on the same side of the metal dowel pin inside the dowrod.





Step 6. Twist the Pipe Assembly into the Motor Adapter by turning Counter-Clockwise.

Step 7. Securely retighten the setscrew on the Motor Adapter with the Allen Wrench.

CAUTION: The Motor Adapter has a special coating on the threads. Do not remove this coating; the coating prevents the downrod from unscrewing. Once assembled, do not remove the downrod.

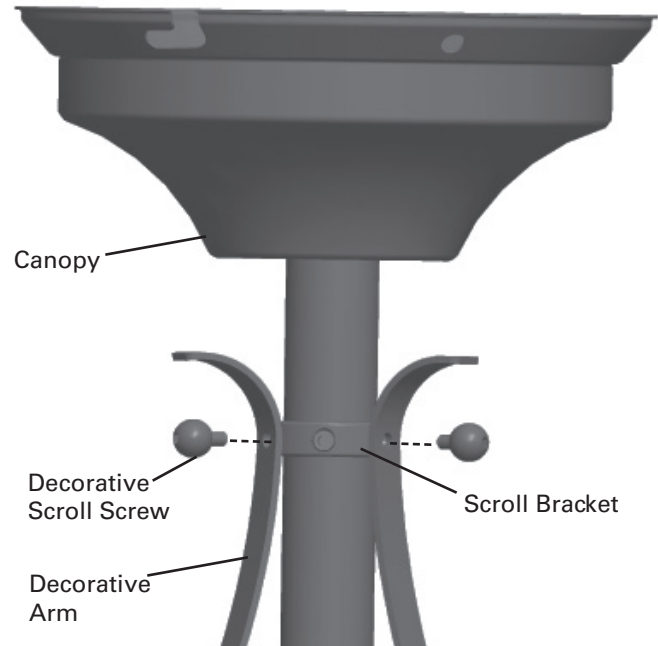
CAUTION: Failure to fully lock in the downrod before securely tightening the allen set screw may cause the fan to separate from the downrod during normal operation!

Step 8. Insert one of the Scroll Screws through the hole on one of the Decorative Scroll Arms and screw into one of the holes on the Scroll Bracket. Do not tighten.

Note: Ensure the Canopy is above the Scroll Bracket before securing the Decorative Arms.

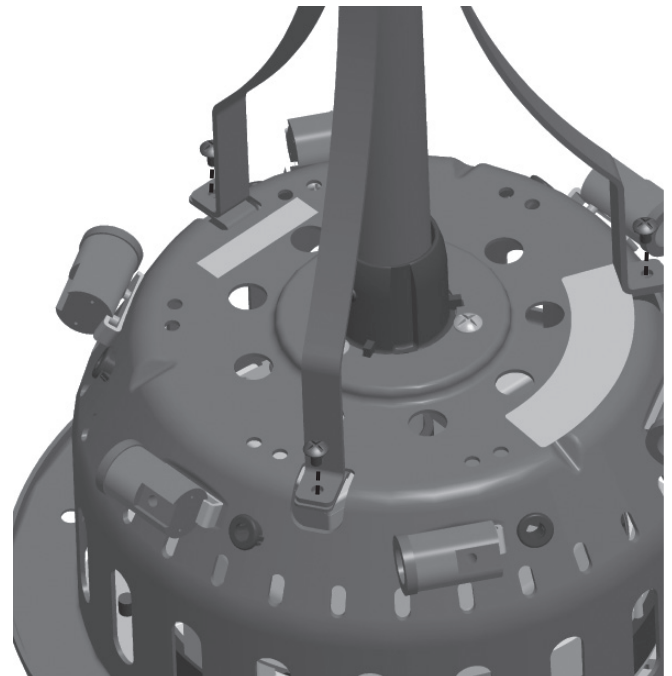
Step 9. Repeat until all 3 scroll arms are attached to the Scroll Bracket.

Step 10. Place the Scroll Assembly on top of the motor.



Step 11. Line up the Holes on the bottom of the 3 scroll pieces with the tabs on the top of the motor and attach with the 3 scroll Assembly Screws. Do not tighten.

Step 12. Adjust the Scroll Assembly until it is lined up straight on the Pipe Ball and Fan Motor, then Tighten all Screws, including the set screw on the Scroll Bracket.



UPPER GLASS HARDWARE



Upper Glass



Upper Bulb (6)

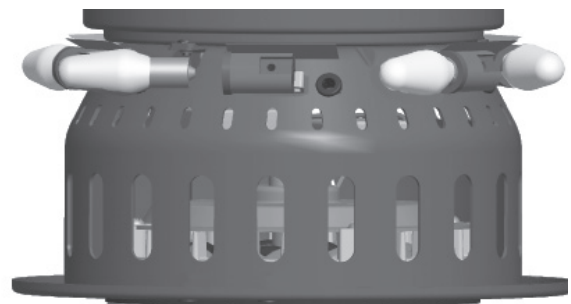
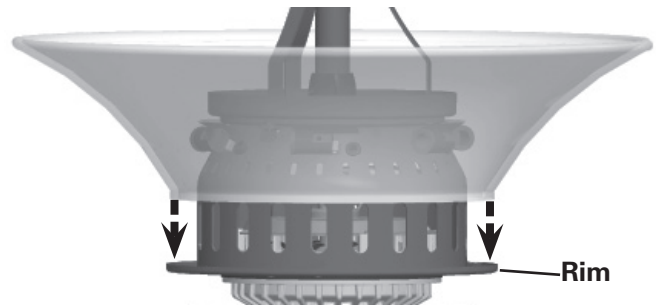
UPPER GLASS ASSEMBLY

Step 1. Slide the Glass over the upper part of the Fan Assembly.

Step 2. The Glass should rest inside the rim of the lower part of the motor on top of the foam strips to avoid contact with rim.

Step 3. Remove each of the 6 Upper Bulbs from their packs and Screw into the Bulb Sockets around the top part of the fan.

Note: When replacing bulbs, only replace with max 15 watt bulbs.



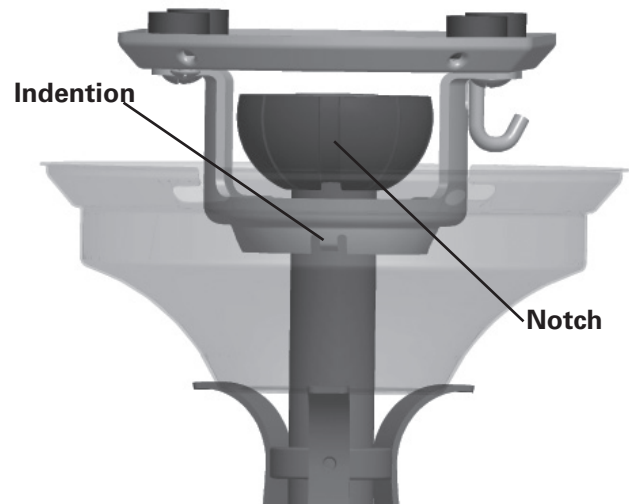
HANGING THE FAN

Step 1. Trim wires to about 6" from the top of the downrod.

Step 2. Strip 1/2" of insulation off each wire using wire strippers. Raise the fan and place the ball into the hanger bracket.

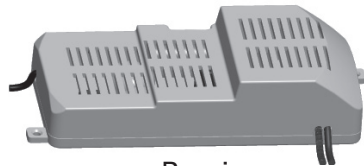
Step 3. Align the notch on the ball with the indent in the hanger bracket. (Rotate the fan until you hear the notch pop into place.)

WARNING: Fan may fall if not assembled as directed in these installation instructions.





WIRING HARDWARE



Receiver



Blue Wire Caps (4)

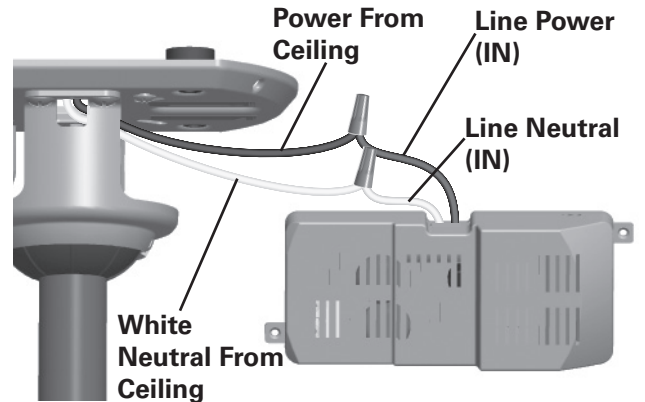


Orange Wire Caps (3)

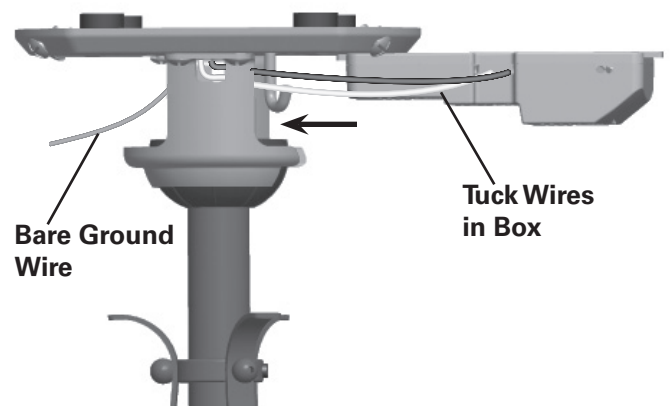
WIRING

Step 1. Locate the White **Line Neutral (IN)** and connect it to the White Neutral Wire from your ceiling using one of the supplied orange wire caps.

Step 2. Connect the Black **Line Power (IN)** and the Black Power Wire from your ceiling with an orange wire cap.



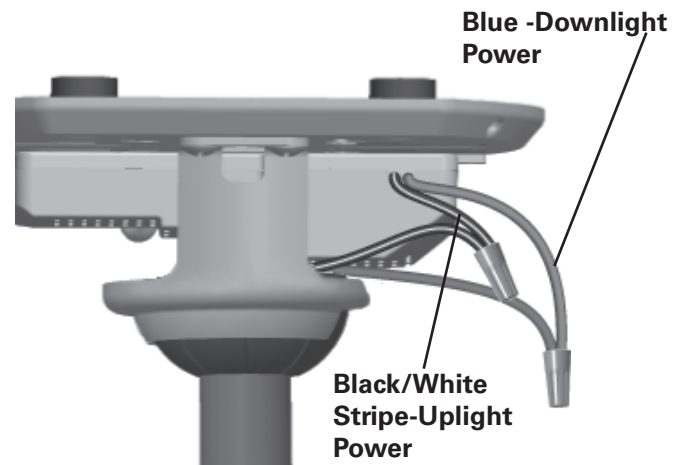
Step 3. Tuck the White and Black connected wires back into the ceiling box through the hole in the center of the Hanger Bracket while you slide the Receiver into the open end of the Hanger Bracket as shown.



NOTE: Ensure you do not tuck the bare ground wire from the ceiling back into the box. This will be connected later.

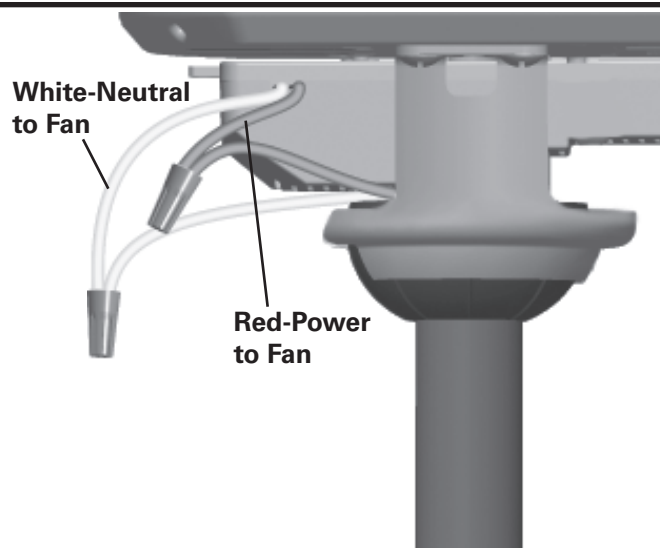
Step 4. Connect the Blue **Downlight Power** Wire from the Receiver to the Blue Wire coming from the fan with a blue wire cap.

Step 5. Connect the Black/White striped **Uplight Power** Wire to the Black/White Wire coming from the fan with a blue wire cap.

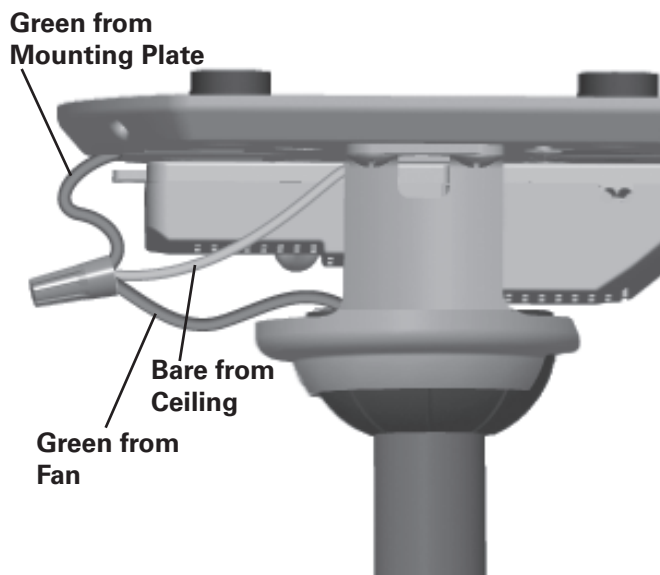


Step 6. Take the White **Neutral to Fan** Wire and connect it to the White Wire coming from the fan with a blue wire cap.

Step 7. Use the Red **Power to Fan** Wire and connect it to the Red Wire coming from the fan with a blue wire cap.



Step 8. Connect the Green wire from the Mounting Plate, Bare Wire from the ceiling, and the Green Wire from the downrod assembly and connect them together with an orange wire cap.

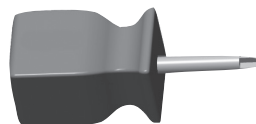




CANOPY HARDWARE



Canopy Screw (4)



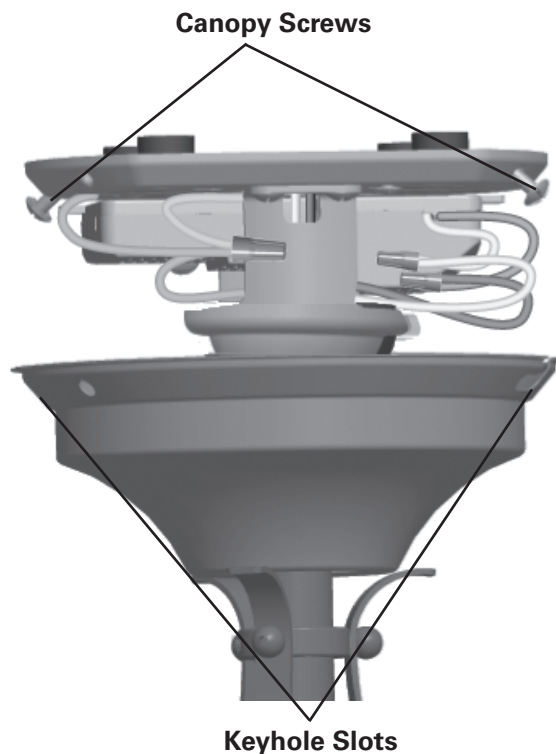
Screw Driver

SECURING THE CANOPY

Step 9. Carefully tuck the wires around the Receiver and Hanging Bracket as not to loosen the wire caps.

Step 10. Insert 2 Canopy Screws into the Hanging Plate diagonally across from each other so they match the keyholes on the canopy.

WARNING: Do not let wires become lodged between Hanger Bracket and Canopy.



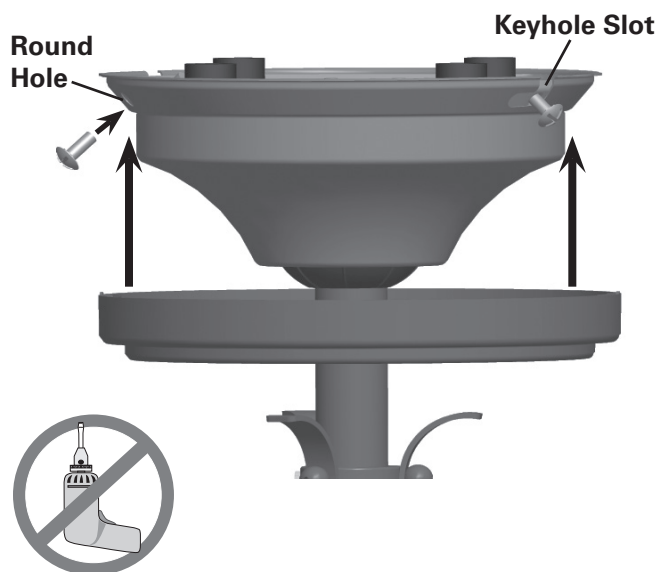
Step 11. Raise the Canopy over the Hanger Bracket. Align the partially installed screws with the key slots in the canopy.

Step 12. Twist the Canopy clockwise to secure.

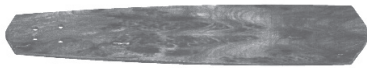
Step 13. Install the third & fourth canopy screws in the round holes on Canopy. Securely tighten all four screws.

Step 14. Using both hands, push the Canopy Trim ring up to the top of the Canopy.

Step 15. Twist the Canopy Trim ring clockwise to secure it to the Canopy.



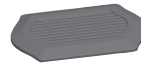
BLADE HARDWARE



Blades (5)



Blade Irons (5)



Medallions (5)



Blade Iron
Screws (11)



Blade Screws
(21)

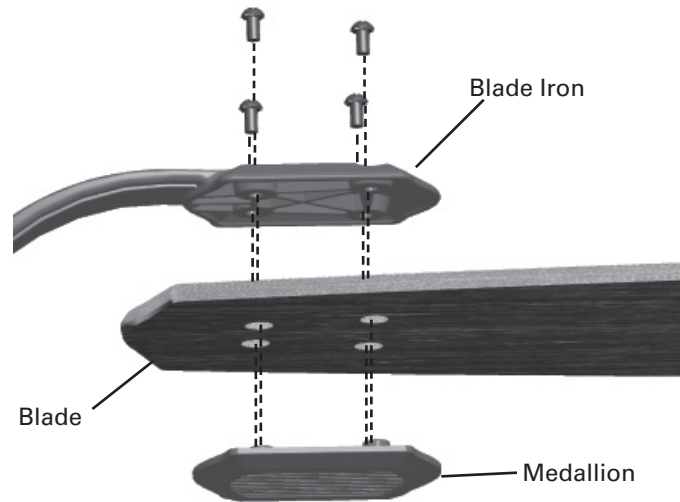
BLADE INSTALLATION

Step 1. Insert the Medallion into the holes in the Blade.

Step 2. Align the screw holes on the Blade Iron with the holes in the Medallion.

Step 3. Insert 4 Blade Screws and tighten by hand.

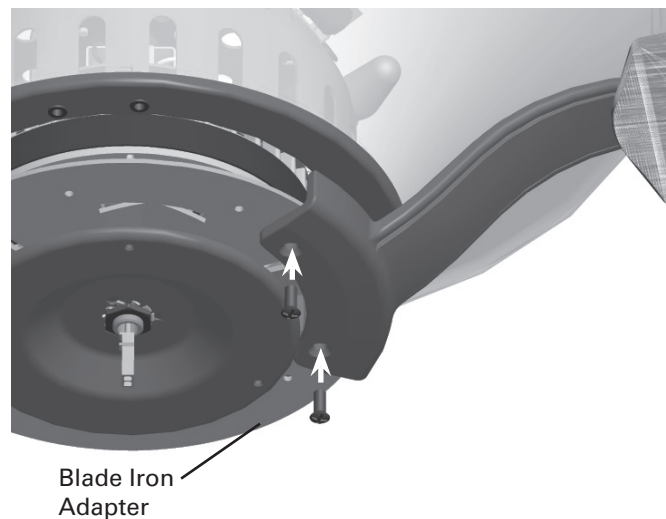
Step 4. Repeat steps for each Blade.



Step 5. Remove the Polyfoam ring from between the bottom motor housing and Light Kit Mounting Plate before installing the Blade Irons.

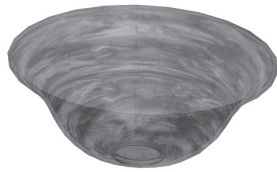
Step 6. Align the Blade Iron to 2 of the holes on the Blade Iron Adapter on the bottom of the Fan.

Step 7. For each blade, insert one blade mounting screw through the blade iron, and attach lightly to the fan. Insert the second blade mounting screw, then securely tighten both mounting screws.





LIGHT KIT HARDWARE



Lower Glass



Light Kit



Glass Cover



Finial



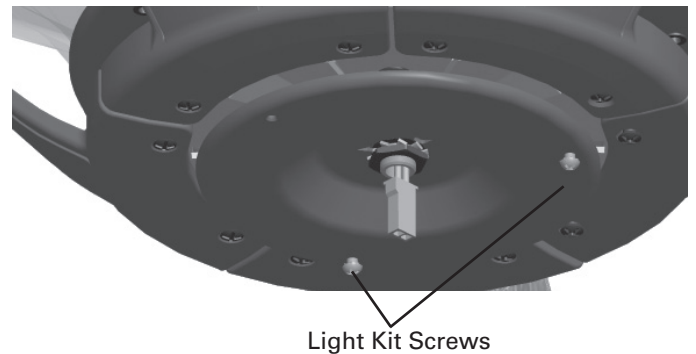
Light Kit Screw (3)



Lower Bulb (3)

LIGHT KIT INSTALLATION

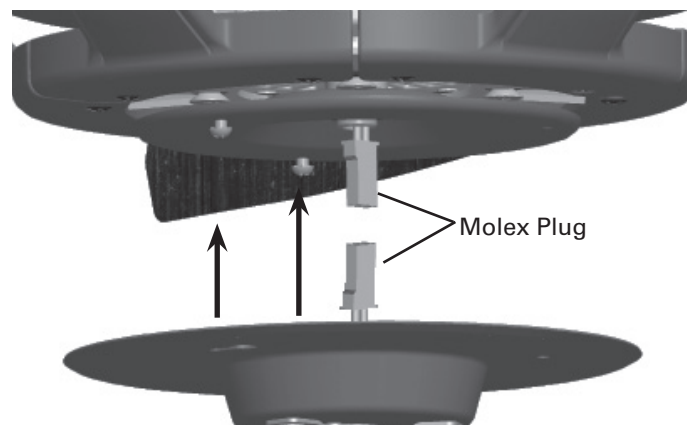
Step 1. To attach the Light Kit Mounting Plate partially install two light kit screws into the switch housing mounting plate.



Step 2. Connect the molex plug on the Light Kit to the Fan.

Step 3. Align the keyhole slots in the Light Kit with the light kit screws.

Step 4. Turn the Light Kit counterclockwise until the light kit screws are firmly situated in the narrow end of the keyhole slots.



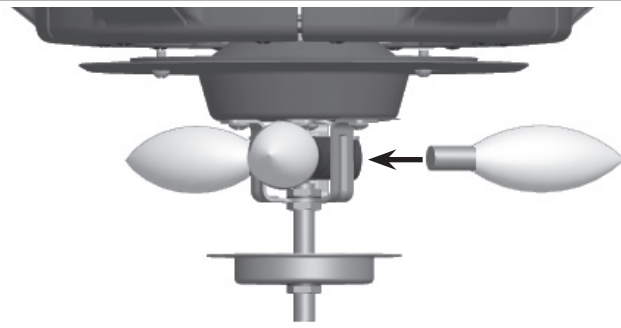
WARNING: Do not let wires become lodged between Fan Adapter and Light Kit.

Step 5. Install the remaining screw into the Light Kit.

Step 6. Tighten all three screws firmly.

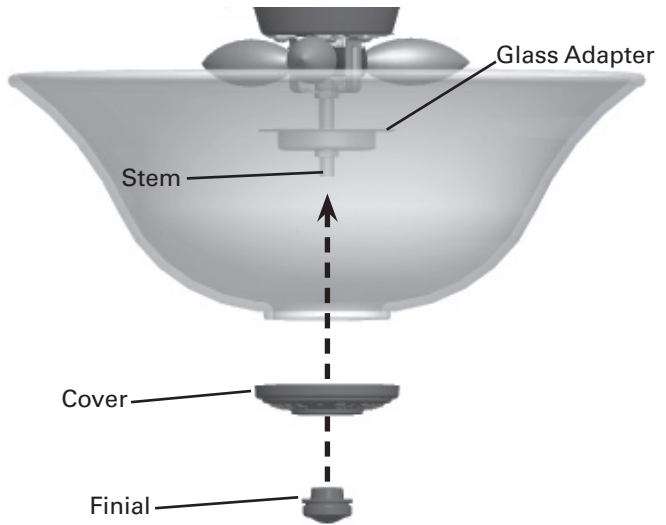


Step 7. Remove the three lower bulbs from their packaging, and install into the light kit.



Note: When replacing bulbs, only replace with max 40 watt bulbs.

Step 8. Raise the Glass up to the Glass Adapter on the bottom of the Light Kit.



Step 9. Slide the Glass Cover onto the bottom of the glass

Step 10. Screw the Finial onto the bottom of the Light Kit Stem to secure Light Kit.

W-74 WALL CONTROL PREPARATION



W-74
Wall Control



Cover Plate



Switch
Mounting
Screws (2)



Wall Plate
Screws (2)



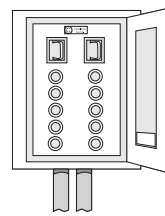
(4) Wire Cap

W-74 WALL CONTROL PREPARATION

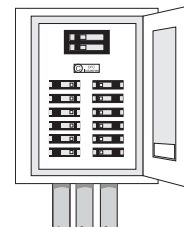
WARNING!
To avoid possible electrical shock, make certain that electricity is turned off at the circuit breaker or fuse box before attempting any installation or repair procedure

CAUTION! NOT turning the power OFF at the circuit breaker or fuse box may cause damage to the electronics within the wall control and or the PC board on the fan.

Fuse Box
(Remove fuse for the circuit you will be working on)



Circuit Breaker
(Trip breaker for the circuit you will be working on)





W-74 CONTROL INSTALLATION

INSTALLING THE W-74 WALL CONTROL

NOTE: W-74 Wall Control should only be installed on Casablanca's Direct-Touch™ Fans.

The wall control installs in the same manner as an ordinary light switch, using an existing wall box and wiring. This controller is designed to signal the fan microcomputer as well as perform normal switching operations. For this reason the following precautions must be observed:

1. Use only the Casablanca W-74 wall control.
2. Do not use any additional control with your Direct-Touch™ fan (for example, dimmer, or fan speed control).
3. Do not use more than one fan per wall control.
4. No other light fixtures or electrical appliances may be connected on the circuit controlled by the W-74 wall control.

SINGLE W-74 INSTALLATION

CAUTION!

Ensure power is turned OFF at the breaker or fuse panel before starting installation.

1. If you have multiple Direct-Touch™ fans, refer to the section "changing frequency setting" on page 20.
2. Remove the screws and switch plate from the existing switch box.
3. Remove the screws holding the switch in the switch box.
4. Pull the existing switch from the switch box to expose the wire connections.
5. Remove the two wires from the switch.
6. Connect the BLACK wire from the POWER SOURCE that you just removed from the switch to the BLACK/WHITE STRIP wire on the W-74 wall control. Secure this connection with a wire nut.
7. Connect the second BLACK wire that you just removed from the switch to the second BLACK wire on the located on the back of the W-74 wall control. Secure this connection with a wire nut.

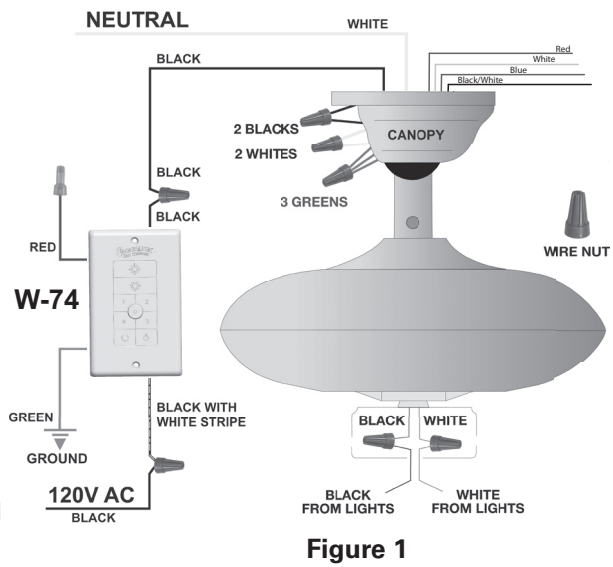


Figure 1

NOTE: The RED wire is not used in this application. DO NOT remove the crimped cap from the wire.

8. Connect the green ground wire coming from the back of the W-74 control to the ground wire in the switch box. Secure the splice with a wire nut.
9. Check your work by using the wiring diagrams as shown in Figures # 1 and #2.
10. Install the W-74 in the wall box with the two long screws provided.
11. Install the wall plate with the two white screws.

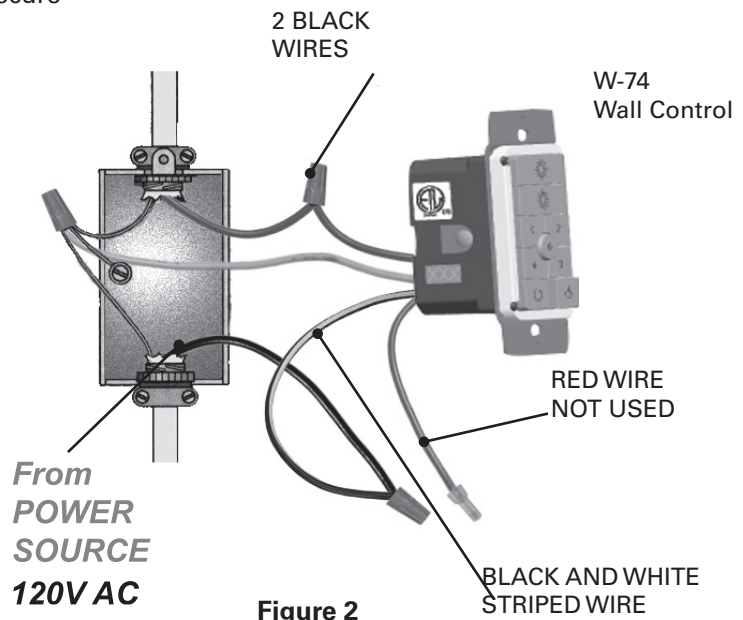


Figure 2

DUAL W-74 INSTALLATION

To control the fan and lights from two locations (a three-way circuit), use two W-74 wall controls as shown in the wiring diagram in Figure #4. Before installing the two switches into the wall, place both switches side by side, then locate the 6 dip switches on the side of the two switches as shown in Figure #3. Then make sure that the dip switches are set to the same address on both switches as shown in Figure #3. When setting these dip switches you are setting the channel number that is required to control both your fan and lights from both sides of the room. If you are installing other Direct-Touch™ 3 fans within your home you may need to reset the dip switches on these other fans to a different channel before installing your W-74 wall control into the wall. Please review the section on channel changing within this part of the operation manual as shown on page #20.

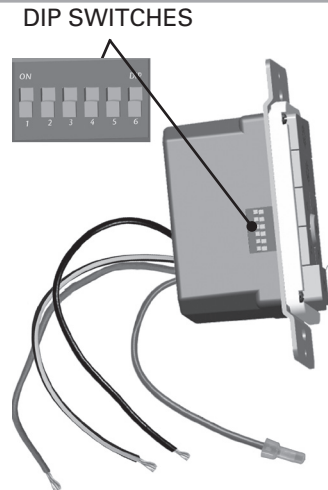


Figure 3

CAUTION!

Ensure power is turned OFF at the breaker or fuse panel before starting installation.

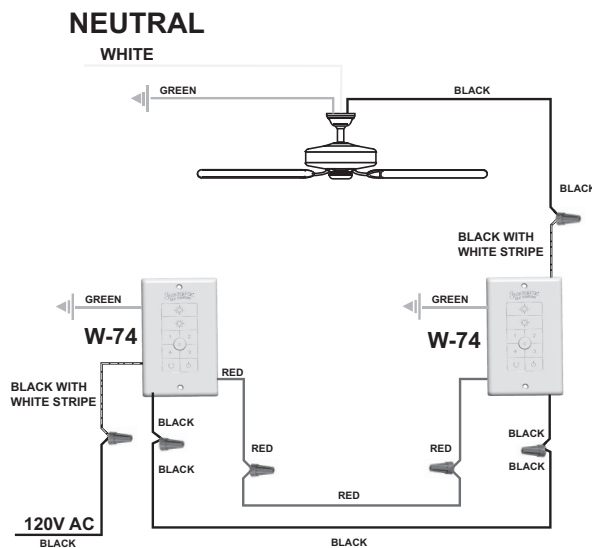


Figure 4

1. To control the fan and lights from two locations (a three-way circuit), use two W-74 wall controls.
2. Remove the screws and switch plate from the existing switch box and the screws holding the switch in the switch box. Figure #5
3. Pull the existing switch from the switch box to expose the wire connections.
4. Determine which wire is connected to the common terminal from the power source (120V AC) of the three-way switch. (The terminal will be marked on switch).
5. Remove the wire from the common terminal of the three-way switch. Connect this wire to the remaining black/white striped wire on the W-74 control. Secure this splice with a wire nut. Figure 4

6. Remove the two remaining wires from the three-way switch. Connect the black wire of these wires to a black wire on the W-74 control. Secure the splice with a wire nut. The remaining red wire is to be connected to the other red wire on the W-74. Secure the splice with a wire nut. Figure 5
7. Connect the green ground wire coming from the back of the W-74 control to the ground wire in the switch box. Secure the splice with a wire nut.
8. Check your work by using the wiring diagrams as shown in Figures # 4 and #5 on this page.
9. Install the W-74 in the wall box with the two long screws provided.
10. Install the wall plate with the two short color-matched screws provided.
11. Installation of the second W-74 control is identical. Repeat steps 1 through 7.

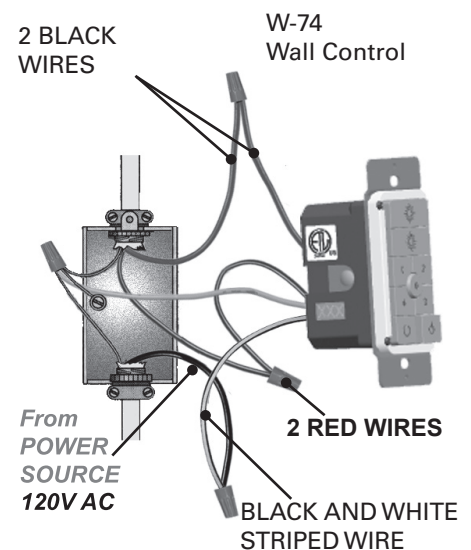




Figure 5

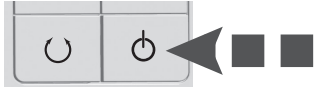


W-74 OPERATION

OPERATION POWER

The  power button is normally left in the on position. Always turn the power off during cleaning or servicing the fan and during thunderstorms. It is also used to exit or enter additional programs.

The  power button must be left on to retain a previously set fan speed or light level.

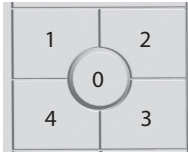


OPERATION SPEED CONTROL

There are five individual speed settings for the fan. Each speed is indicated by the number on the controller and an audible tone for each speed.

To select the desired fan speed:

Press the number on the controller corresponding to the speed desired. 4 is high, 3 medium, 2 low, 1 ultra-low, and 0 is off.




Note: It is normal for the fan to start in the "High" position from "Off" before changing to the selected speed.

OPERATION REVERSING AIRFLOW


The direction of airflow can be changed from downward to upward or from upward to downward.


To reverse the airflow:

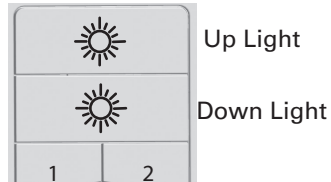
1. Make sure the fan is on and blades are turning.
2. Press the  reverse button. You will hear a series of clicks from the fan as it speeds up before coming to a stop and changing direction.



OPERATION LIGHTS

To turn the lights off and on, press and release the  button for either the up or down lights for less than one second.

To dim either the up or down light, Press and hold the  button for either the up or down light for more than 1 second. The light will come on at the last brightness setting and increase in brightness until full power is reached, then start dimming until the lowest setting is reached. This cycle will repeat until you release the light button.




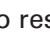
Note: The dimming feature will only work as long as the dimming feature remains active. See "Operation CFL mode".



OPERATION CFL MODE


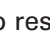
Your fan has the ability to disable the dimming feature to allow the use of CFL bulbs.

To activate CFL mode:

1. Turn the fan off by pressing the  power button.
2. Allow the fan to remain off for at least 5 seconds.
3. Press the  power button again to restore power to the fan.
4. Immediately press and hold the "1" and "3" buttons for at least 5 seconds. The fans lights will go to 100% brightness and the dimming function will be disabled.

Caution: CFL bulbs will not function properly when dimmed, which may result in flickering or reduced bulb life.

To cancel CFL mode:


5. Turn the fan off by pressing the  power button.
6. Allow the fan to remain off for at least 5 seconds.
7. Press the  power button again to restore power to the fan.
8. Immediately press and hold the "2" and "4" buttons for at least 5 seconds. The fans lights will dim to 50% brightness and the dimming function will be enabled. Press and hold the light buttons until the desired dimmer setting is reached.

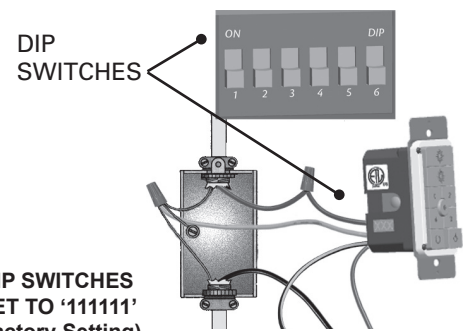
CHANGING FREQUENCY SETTING

NOTE: All fans leave the factory set to "111111"

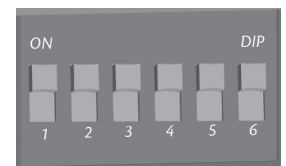
You will only have to change the dip switch settings in the remote if you are using more than one fan in the same area and want to control them separately.

NOTE: DO NOT set dip switch setting in the remote to '0000', this may cause frequency interference from other Casablanca Products.

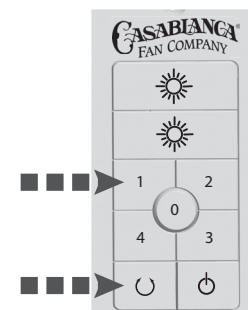
1. Turn power OFF at the circuit breaker or fuse box and at the toggle switch, for the fan you want to change.
2. Remove the screws and switch plate from the existing switch box.
3. Remove the screws holding the switch in the switch box.
4. Pull the existing W-74 switch from the switch box to expose the dip switches located on the side of the control as shown in Figure #1.
5. Change the dip switch settings, assuring that they are different from the previously installed Direct-Touch fan.
6. Mount the W-74 Wall Control unit back into the wall electrical box.
7. At the circuit breaker or fuse box and at the toggle switch, turn the power off for the fan whose frequency you are changing.
8. Within 20 seconds of restoring power to the ceiling fan and the W-74 Wall Control press and hold both the "1" and  reverse buttons as shown in Figure #2. For 3 seconds, you will hear one tone from the Piezo Buzzer indicating the command has been accepted. The Fan and Lights will be off.



(Figure 1)



DIP SWITCHES
SET TO '000000'



(Figure 2)





AUTOMATIC DEMONSTRATION PROGRAM


Programmed into every Direct-Touch fan is an Automatic Demonstration Program. It can be used to fully demonstrate and test the operation of the fan.

Note: With CFL mode active, the lights will not dim.

To enter the demonstration program:



1. Turn the  power button off for at least 5 seconds. This will clear the fan memory ready for programming.
2. Turn the  power button on.
3. Immediately hold the "0" button for at least 5 seconds.

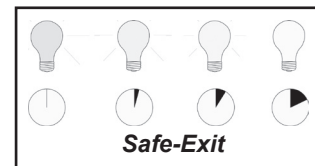
A multi-tone signal will verify the start of the test program. The fan and lights will go through a series of changing fan speeds, reversing the fan operation mode, turning off/on, and dimming the lights.

The complete cycle lasts slightly over one minute. It will continue to repeat until the  is turned off for more than five seconds, cancelling the program.

OPERATION SAFE-EXIT®




The Safe-Exit Program gives you about thirty seconds of light when you turn the lights off, enabling you to exit your home before the lights go out. To enter the Safe-Exit Program:

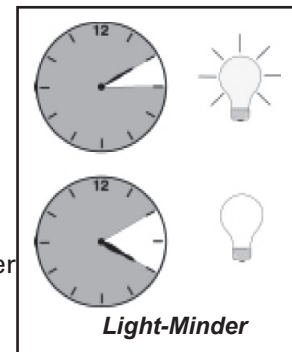
1. Press the  power button off for at least five seconds.
2. Turn the Power on. Immediately press and hold the "4" button for 5 seconds. When a light button is pressed, an audio tone and series of lights blinking will indicate the program is active. When CFL mode is disabled, the Lights will stay on at 50% brightness for 20 seconds then decrease in intensity for 30 seconds then turn off.
3. With CFL mode active, the lights will turn off after 30 seconds.
4. To cancel the Safe-Exit Program, press the  power button and leave off for five seconds.



LIGHT-MINDER® PROGRAM



The Light-Minder Program automatically turns OFF the fan mounted lights after two hours. To enter the Light-Minder Program:

1. To operate the lights for Light Minder Program – Turn the  power button off for at least 5 seconds.
2. Turn the  on. Immediately press and hold the "1" button for 5 seconds. A series of tones will be heard through the piezo-buzzer indicating the command has been accepted. Once the lights turn on, they will automatically turn off after 2 hours.
3. Light operation still remains normal, if you leave the room and turn OFF the lights, the lights will blink to indicate the Light Minder command has been accepted. The lights will stay on for 2 hours and then begin to dim. After thirty seconds have elapsed, the lights will turn completely off. In CFL Mode, the lights will not dim, but shut off after 2 hours.
4. To cancel the Light Minder Program, press the  power button and leave off for five seconds.






OPERATION HOME-SAFE® PROGRAM

1. To operate the Home-Safe Program –Turn the  power button off for at least 5 seconds.
2. Turn the  on. Immediately press and hold the "3" button for 5 seconds. A series of tones will be heard through the piezo-buzzer indicating the command has been accepted.






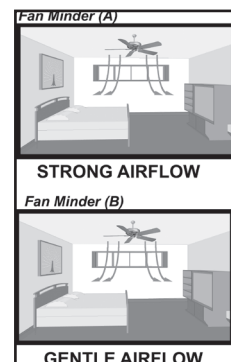
Note: This program overrides all manual control of lights and fan.

3. The lights will automatically cycled on and off in a controlled sequence as follows: ON 1 hour, OFF ½ hour, ON 2 hours, OFF 1 hour, ON ½ hour then OFF 2 hours. This seven hour pattern will repeat continuously so that a different pattern of lighting is seen each day of the week.
4. 4) To cancel the Home-Safe Program, press the  Button OFF for five seconds.

OPERATION FAN-MINDER™ PROGRAM

The Fan-Minder feature will add to your comfort when used in the bedroom. The program reduces the speed of the fan each two-hour interval to compensate for cooling night air.

1. To operate the lights for Light Minder Program –Turn the  power button off for at least 5 seconds.
2. Turn the  on. Immediately press and hold the "2" button for 5 seconds. A series of tones will be heard through the piezo-buzzer indicating the command has been accepted. Once the lights turn on, they will automatically turn off after 2 hours.
3. The fan will respond with three descending tones. A timer is now initiated and the fan will reduce one speed for each two-hour interval. The fan will not, however, descend below the first or the lowest speed.
4. You may increase the fan speed by pressing and holding any of the fan speed buttons until the desired speed is reached, then release it. The fan will again reduce one speed for each 2 hour interval.
5. To cancel the Fan-Minder Program, turn the  OFF for 5 seconds.






TROUBLESHOOTING TIPS

Please refer to this troubleshooting guide before requesting service or contacting your dealer for assistance.

PROBLEM POSSIBLE REMEDIES

Fan will not start

- Check the main circuit fuses, circuit breakers, and wall switch position. Check all wire connections. Make sure the power is turned off during this inspection.
- Pin connectors are not making good contact. Check all connections.
- The fan receiver is defective. Replace the fan receiver.
- Reset the frequency setting: Turn the power off at the circuit breaker for the fan that is not functioning only. Within 20 seconds from restoring power to the ceiling fan and the W-74 Wall Control press and hold both the "1" and  reverse buttons as shown in Figure #2 for 3 seconds, you will hear one tone from the Piezo Buzzer indicating the command has been accepted. The Fan will come on at "low" speed in the reverse direction.

Fan wobbles or shakes excessively

- Be sure the canopy pin is set properly into the slot on the ball.
- Check that the blade holders have not been bent during installation and the blades are balanced.
- The hanger bracket and/or the ceiling outlet are attached too loosely. Make sure the hanger bracket is attached tightly to the ceiling outlet box and the downrod assembly is secured firmly.
- The downrod is attached to the downrod base too loosely. Make sure all the screws are securely tightened.
- A balancing kit is supplied with the fan to remedy slight wobble problems. Check all previous steps before using this kit.


Fan is noisy during operation

- When changing fan speeds or reversing the fan, you may hear several audible clicks. This is normal operation.
- Check and tighten the light fixture retaining screws, glass shade screws, and/or lightbulb(s).
- Tighten the canopy screws and mounting plate assembly. Make sure the wire nuts inside the canopy and switch housing are not touching the metal parts and that they have not fallen off the wire splices. Tighten as necessary.
- Tighten the blade holders to the flywheel (or Direct Drive motor) and the blades to the bladeholder screws.
- Make sure all the screws in the motor housing are snug but not overly tight.

Fan does not run on low speed

- If fan is new, it may need to be "broken in." Run at high speed for several days.

Light is too dim

- Make sure the dimmer setting is at the desired level. Hold the  Up or down light button to activate the dimmer of the fan. Release the button when the desired luminosity is reached.

This device complies with RSS-210 of Industry Canada. Operation is subject to the following two conditions: (1) this device may not cause interference, and (2) this device must accept any interference, including interference that may cause undesired operation of the device.

1. This device complies with part 15 of the FCC Rules. Operation is subject to the following two conditions: (1) this device may not cause harmful interference, and (2) this device must accept any interference received, including interference that may cause undesired operation.
2. This equipment has been tested and found to comply with the limits for a Class B digital device, pursuant to Part 15 of the FCC Rules. These limits are designed to provide reasonable protection against harmful interference in a residential installation. This equipment generates, uses and can radiate radio frequency energy and, if not installed and used in accordance with the instructions, may cause harmful interference to radio communications. However there is no guarantee that interference will not occur in a particular installation. If this equipment does cause harmful interference to radio or television reception, which can be determined by turning the equipment off and on, the user is encouraged to try to correct the interference by one or more of the following measures: Reorient or relocate the receiving antenna, Increase the separation between the equipment and receiver, Connect the equipment into an outlet on a circuit different from that to which the receiver is connected. Consult the dealer or an experienced radio/TV technician for help. Note: Any changes or modifications to the transmitter or receiver not expressly approved by Casablanca Fan Company may void one's authority to operate this remote control.

CARE RECOMMENDATIONS

Fan Finishes

- For cleaning, a soft brush or lint-free cloth should be used to prevent scratching the finish.
- A vacuum cleaner brush nozzle can remove heavier dust.
- Surface smudges or an accumulation of dirt and dust can be removed easily using a mild detergent and slightly dampened soft cloth. An antistatic agent may be used, but never use abrasive cleaning agents as these will damage the finish.

Blades

- The blades on this fan have been treated with Casablanca's Dust Armor protection, making the blades less likely to attract dust and dirt. Use a dry or slightly damp lint free cloth to clean the blades. Do not use a furniture polish or any other cleaners that leave any residue, as they will damage the protective Dust Armor on the blades.

No Need for Lubrication

- Never lubricate this fan! The precision motor at the heart of your Casablanca fan features sealed bearings that are lubricated for life.
- Do not attempt to oil the motor.

Changing Lightbulbs

- Be sure to turn the power to OFF at the wall switch or circuit breaker before changing lightbulbs.
- Replace bulbs with the same type as you removed from the light fixture.
- The maximum wattage rating for this fan's light kit is 75 watts for the uplight, 120 watts for the downlight.

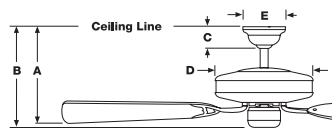
**FOR QUESTIONS OR TO LOCATE THE NEAREST CASABLANCA
AUTHORIZED SERVICE CENTER
CALL TOLL FREE: 1-888-227-2178
OR VISIT US ON THE WEB AT: WWW.CASABLANCAFANCO.COM**

PRODUCT SPECIFICATIONS

Model Name: Veneto

Model Number: C15G624L

Dimensions: A = 17.8
B = 25.8
C = 3.4
D = 19.7
E = 7.6



Motor: 172MM x 18MM Direct Drive

Blade Span With: 68"

Blade Pitch: 13°

No. of Blades: 5

Technology: W-74DL - Direct-Touch

Lightbulbs: 15-watt Candelabra (6)
40-watt Candelabra(3)

Weight: 47 lbs.

Airflow: 7,296 cfm

Electricity Use: 101 watts

Airflow Efficiency: 72.6 cfm/watt